

6

5

4

3

2

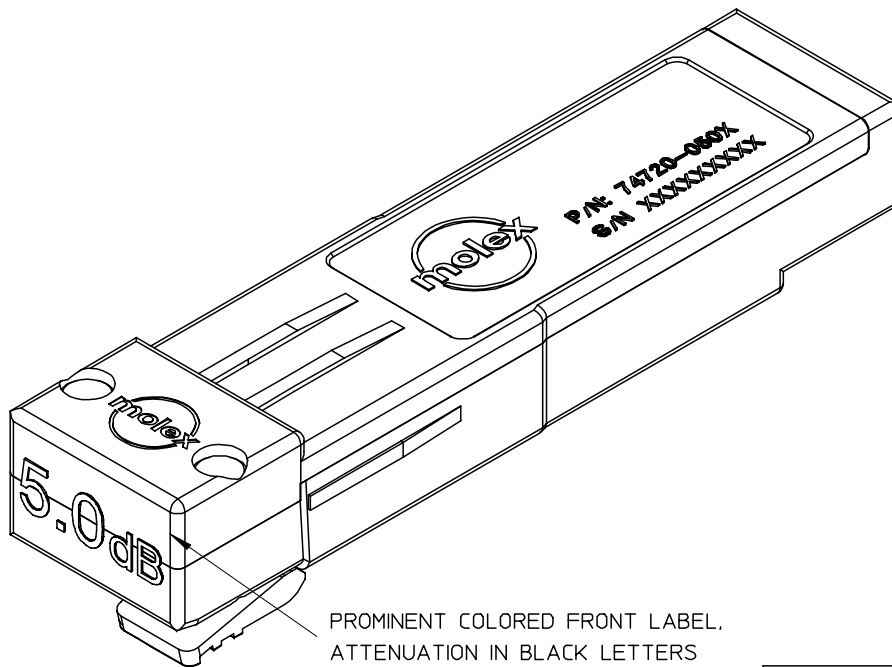
1

D

C

B

A



PROMINENT COLORED FRONT LABEL,
ATTENUATION IN BLACK LETTERS

1. Mates to SFP components which comply to standard MSA dimension specifications.
2. Support for:
 - Fibre channel data to 2.125 Gbps
 - Gigabit Ethernet data rates to 2.5 Gbps
 - infiniband data rates to 2.5 Gbps
3. Robust zinc die cast body, bright nickel plated. Mounts belly-to-belly using 0.093"+ boards.
4. Raised wedges assure electrical contact with surrounding EMI cage assembly.
5. Spring loaded latch releases with simple squeeze, and pull action.
6. 100 ohm impedance.
7. Supports serial ID functionality.
8. 3.3V or 5.0V supply.
9. Hot pluggable.

D

C

B

A

PART NUMBER	LABEL COLOR	PART DESCRIPTION
74720-0503	LIGHT GREEN	SERIAL ID, WITH 5.0 dB ATTENUATION
74720-0502	LIGHT BLUE	SERIAL ID, WITH 0.0 dB ATTENUATION
74720-0501	YELLOW	SERIAL ID, WITH 3.5 dB ATTENUATION

ENTER DESCRIPTION EC NO: USY2006-0271 DRWN: JERWIN CHKD: KLOYD APPR: KLOYD	2006/02/21 2006/03/03 2006/03/09	DESCRIPTION REV D	QUALITY SYMBOLS ▼=0 ▽=0	GENERAL TOLERANCES (UNLESS SPECIFIED)		DIMENSION STYLE MM/IN		SCALE 2:1	DESIGN UNITS METRIC	THIRD ANGLE PROJECTION		
					mm	INCH	DRAWN BY DIRKERS	DATE 2002/05/01	TITLE SFP LOOPBACK ADAPTER			
				4 PLACES	± ---	± ---	CHECKED BY BRUSSELL	DATE 2002/05/01				
				3 PLACES	± ---	± .005	APPROVED BY RUSSELL	DATE 2002/05/01	MATERIAL NO. SEE CHART		DOCUMENT NO. SD-74720-0501	SHEET NO. 1 OF 3
2 PLACES	± 0.13	± ---	ANGULAR ± 1/2°		MOLEX INCORPORATED							
1 PLACE	± ---	± ---	DRAFT WHERE APPLICABLE MUST REMAIN WITHIN DIMENSIONS		THIS DRAWING CONTAINS INFORMATION THAT IS PROPRIETARY TO MOLEX INCORPORATED AND SHOULD NOT BE USED WITHOUT WRITTEN PERMISSION							

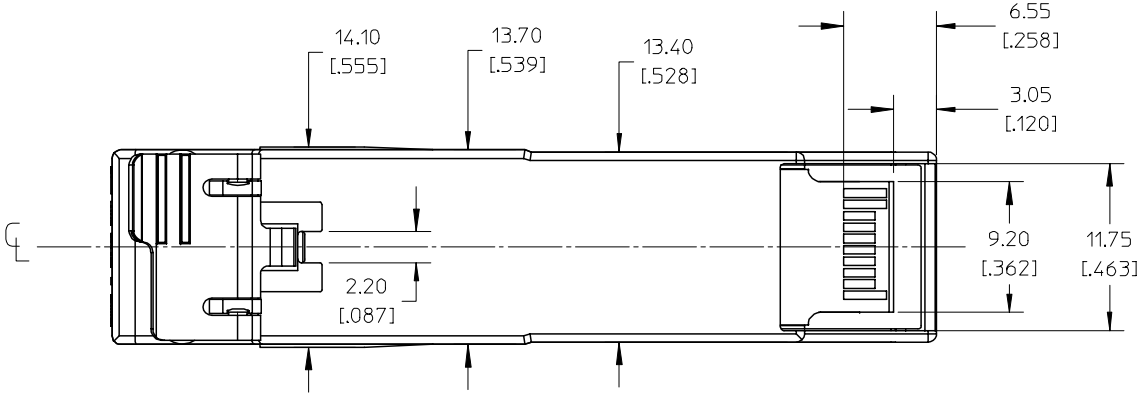
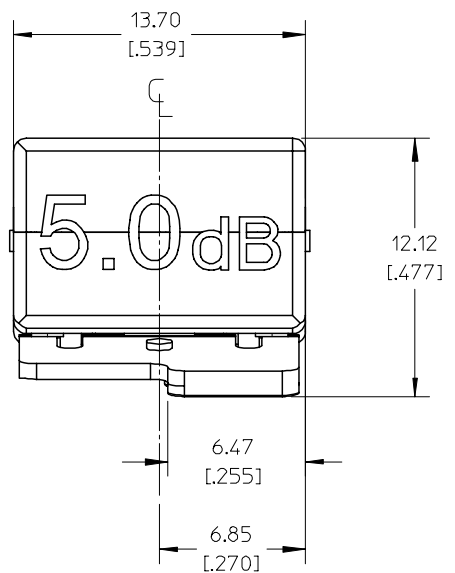
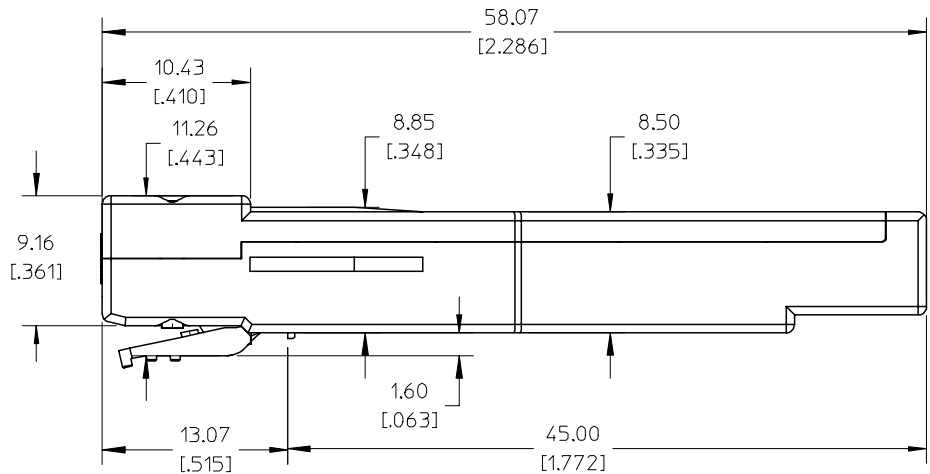
5

4

3

2

1



▲ ATTENUATION LEVEL FOR 74720-0502 SHOWN AS EXAMPLE.

ENTER DESCRIPTION EC NO: USY2006-0271 DRWN: JERWIN CHKD: KLOYD APPR: KLOYD	2006/02/21	DESCRIPTION REV
	2006/03/03	
	2006/03/09	

QUALITY SYMBOLS
▽=0
▽=0

GENERAL TOLERANCES (UNLESS SPECIFIED)	
	mm
4 PLACES	± ---
3 PLACES	± ---
2 PLACES	± 0.13
1 PLACE	± ---
ANGULAR ± 1/2°	
DRAFT WHERE APPLICABLE MUST REMAIN WITHIN DIMENSIONS	

DIMENSION STYLE	
MM/IN	
DRAWN BY	DATE
DIRKERS	2002/05/01
CHECKED BY	DATE
BRUSSELL	2002/05/01
APPROVED BY	DATE
RUSSELL	2002/05/01
MATERIAL NO.	SEE CHART

SCALE	DESIGN UNITS	THIRD ANGLE PROJECTION
2:1	METRIC	
TITLE		
SFP LOOPBACK ADAPTER		
MOLEX INCORPORATED		
DOCUMENT NO.	SHEET NO.	
SD-74720-0501	2 OF 3	

6

5

4

3

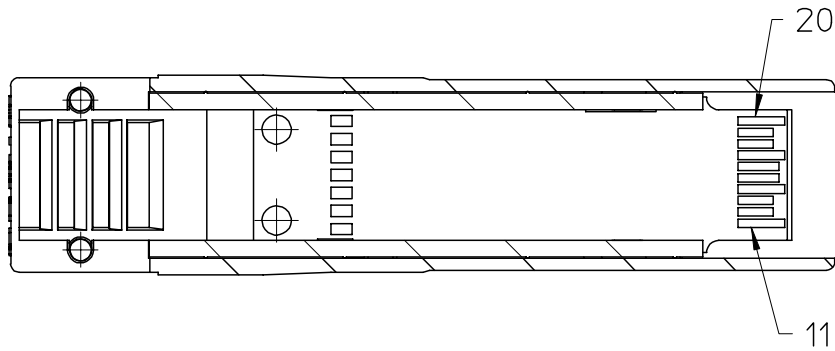
2

1

D

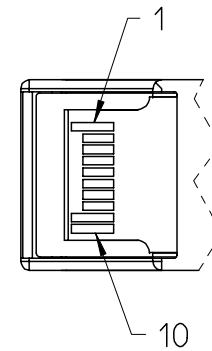
D

Top View
Cutaway



C

C



Bottom
View

B

B

Gnd T	20	1	Gnd T
TD-	19	2	Tx Fault
TD+	18	3	Tx Disable
Gnd T	17	4	MOD-DEF(2)
VccT	16	5	MOD-DEF(1)
VccR	15	6	MOD-DEF(0)
Gnd R	14	7	Rate Select
RD+	13	8	LOS
RD-	12	9	Gnd R
Gnd R	11	10	Gnd R

A

A

ENTER DESCRIPTION EC NO: USY2006-0271 DRAWN: JERWIN 2006/02/21 CHKD: KKLLOYD 2006/03/03 APPR: KKLLOYD 2006/03/09 D	QUALITY SYMBOLS 	GENERAL TOLERANCES (UNLESS SPECIFIED)		DIMENSION STYLE MM/IN		SCALE 2:1	DESIGN UNITS METRIC	THIRD ANGLE PROJECTION	
			mm	INCH	DRAWN BY	DATE	TITLE SFP LOOPBACK ADAPTER		
		4 PLACES	± ---	± ---	DIRKERS	2002/05/01			
		3 PLACES	± ---	± .005	CHECKED BY	DATE	MOLEX INCORPORATED DOCUMENT NO. SD-74720-0501		
2 PLACES	± 0.13	± ---	BRUSSELL	2002/05/01					
1 PLACE	± ---	± ---	APPROVED BY	DATE	SHEET NO. 3 OF 3				
ANGULAR ± 1/2°			RUSSELL	2002/05/01					
DRAFT WHERE APPLICABLE MUST REMAIN WITHIN DIMENSIONS				MATERIAL NO. SEE CHART					
				SIZE 		THIS DRAWING CONTAINS INFORMATION THAT IS PROPRIETARY TO MOLEX INCORPORATED AND SHOULD NOT BE USED WITHOUT WRITTEN PERMISSION			

5

4

3

2

1

6

5

4

3

2

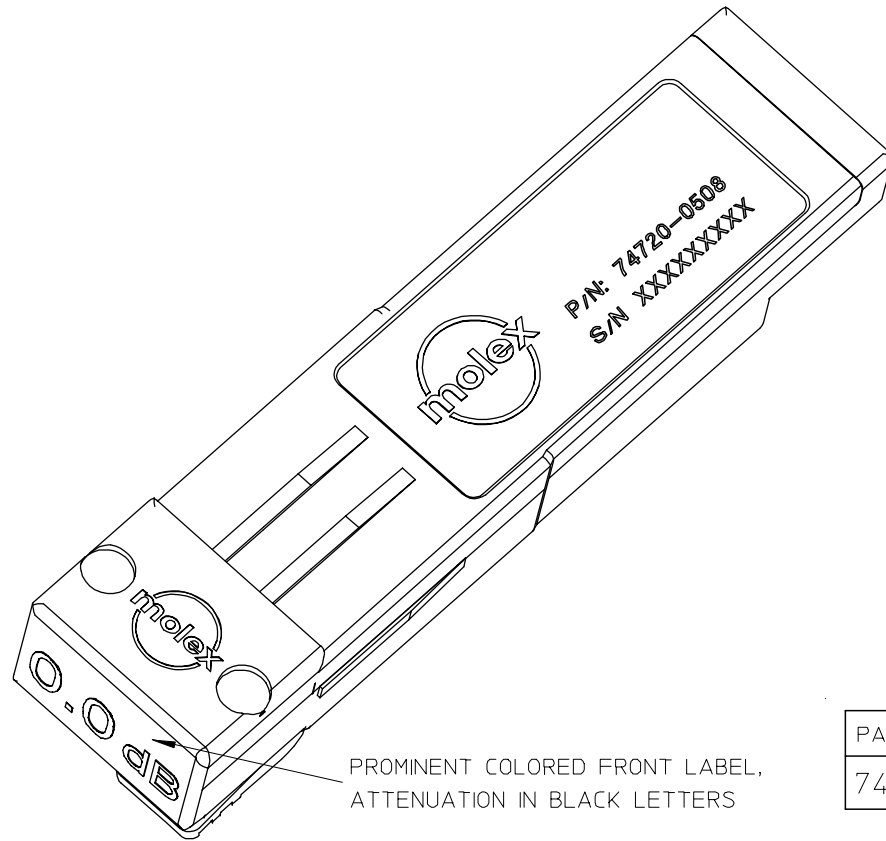
1

D

C

B

A



1. Mates to SFP components which comply to standard MSA dimension specifications.
2. Support for:
 - Fibre Channel data rates 2.125 Gbps and 4.25 Gbps
 - Gigabit Ethernet data rates to 2.5 Gbps
 - Infiniband data rates to 2.5 Gbps
3. Robust zinc die cast body, bright nickel plated. Mounts belly-to-belly using 0.093"+ boards.
4. Raised wedges assure electrical contact with surrounding EMI cage assembly.
5. Spring loaded latch releases with simple squeeze, and pull action.
6. 100 ohm impedance.
7. Supports serial ID functionality.
8. 3.3V or 5.0V supply.
9. Hot pluggable.

PART NUMBER	LABEL COLOR	PART DESCRIPTION
74720-0508	LIGHT BLUE	SERIAL ID; 0.0 dB ATTEN.

ENTER DESCRIPTION EC NO: USY2006-0057 DRWN:KPHILLIPS 2005/09/29 CHK:K.LLOYD 2005/09/29 APPR:K.LLOYD 2005/09/29	QUALITY SYMBOLS =0 =0.005	GENERAL TOLERANCES (UNLESS SPECIFIED)		DIMENSION STYLE MM/IN		SCALE 6:1	DESIGN UNITS METRIC	THIRD ANGLE PROJECTION		
			mm	INCH	DRAWN BY K.PHILLIPS	DATE 2005/09/26	TITLE SFP LOOPBACK ADAPTER			
		4 PLACES	± ---	± ---	CHECKED BY K.LLOYD	DATE 2005/09/26				
		3 PLACES	± ---	± .005	APPROVED BY B.RUSSELL		DATE 2005/09/26	MOLEX INCORPORATED DOCUMENT NO. SD-74720-0508 SHEET NO. 1 OF 3		
2 PLACES	± 0.13	± ---	MATERIAL NO. 747200508							
1 PLACE	± ---	± ---	ANGULAR ±1/2°			DRAFT WHERE APPLICABLE MUST REMAIN WITHIN DIMENSIONS				
				SIZE A	THIS DRAWING CONTAINS INFORMATION THAT IS PROPRIETARY TO MOLEX INCORPORATED AND SHOULD NOT BE USED WITHOUT WRITTEN PERMISSION					

5

4

3

2

1

6

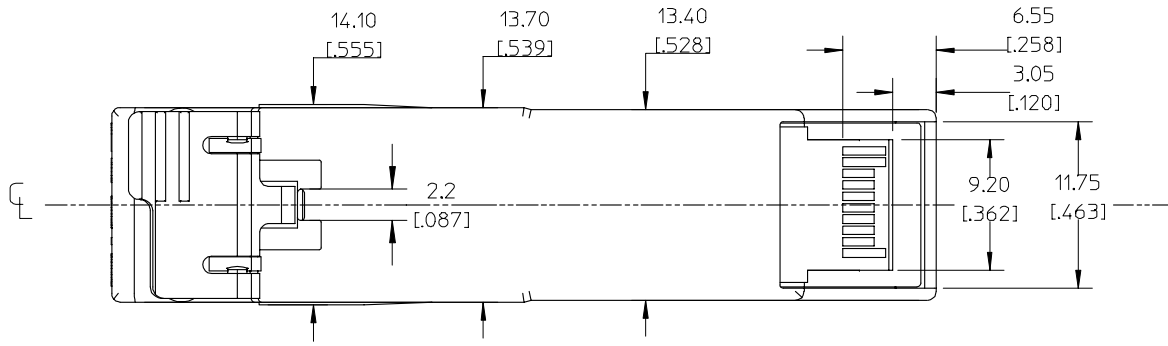
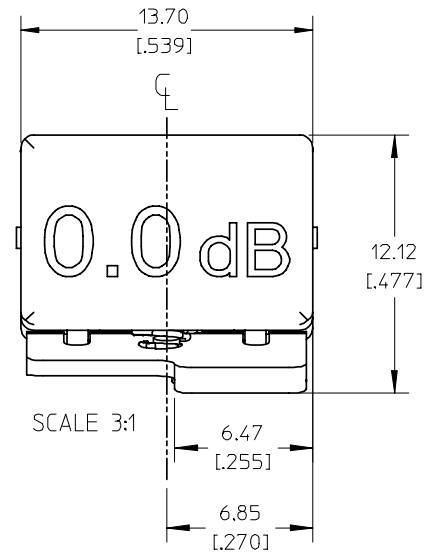
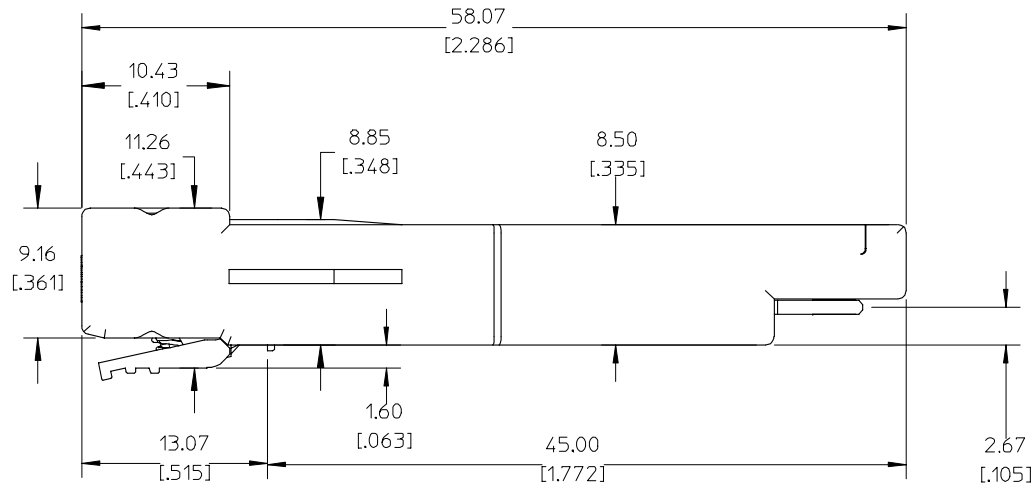
5

4

3

2

1



ENTER DESCRIPTION EC NO: USY2006-0057 DRWN:KPHILLIPS 2005/09/29 CHKD:K.LLOYD 2005/09/29 APPR:K.LLOYD 2005/09/29 A	DESCRIPTION
	REV
	QUALITY SYMBOLS
	▽=0
	▽=0

GENERAL TOLERANCES (UNLESS SPECIFIED)	mm	INCH
	4 PLACES ± ---	± ---
	3 PLACES ± ---	± .005
	2 PLACES ± 0.13	± ---
	1 PLACE ± ---	± ---
ANGULAR ± 1/2°		
DRAFT WHERE APPLICABLE MUST REMAIN WITHIN DIMENSIONS		

DRAWN BY		DATE	
K.PHILLIPS		2005/09/26	
CHECKED BY		DATE	
K.LLOYD		2005/09/26	
APPROVED BY		DATE	
B.RUSSELL		2005/09/26	
MATERIAL NO.			
747200508			
SIZE	THIS DRAWING CONTAINS INFORMATION THAT IS PROPRIETARY TO MOLEX INCORPORATED AND SHOULD NOT BE USED WITHOUT WRITTEN PERMISSION		
A			

SCALE	DESIGN UNITS	THIRD ANGLE PROJECTION
6:1	METRIC	
TITLE		
SFP LOOPBACK ADAPTER		
MOLEX INCORPORATED		
DOCUMENT NO.	SHEET NO.	
SD-74720-0508	2 OF 3	

5

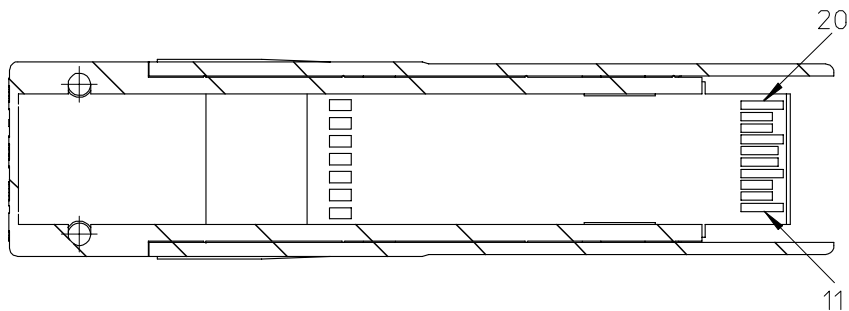
4

3

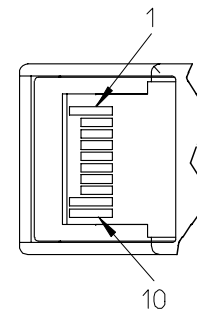
2

1

Top View
Cutaway



Bottom
View



Gnd T	20	1	Gnd T
TD-	19	2	Tx Fault
TD+	18	3	Tx Disable
Gnd T	17	4	MOD-DEF(2)
VccT	16	5	MOD-DEF(1)
VccR	15	6	MOD-DEF(0)
Gnd R	14	7	Rate Select
RD+	13	8	LOS
RD-	12	9	Gnd R
Gnd R	11	10	Gnd R

ENTER DESCRIPTION EC NO: USY2006-0057 DRWN:KPHILLIPS 2005/09/29 CHKD:K.LLOYD 2005/09/29 APPR:K.LLOYD 2005/09/29 A	QUALITY SYMBOLS ▽=0 ▽=0	GENERAL TOLERANCES (UNLESS SPECIFIED)		DIMENSION STYLE MM/IN		SCALE 2:1	DESIGN UNITS METRIC	THIRD ANGLE PROJECTION	
			mm	INCH	DRAWN BY	DATE	TITLE SFP LOOPBACK ADAPTER		
		4 PLACES	± ---	± ---	K.PHILLIPS	2005/09/26			
		3 PLACES	± ---	± .005	CHECKED BY	DATE	MOLEX INCORPORATED		
2 PLACES	± 0.13	± ---	K.LLOYD	2005/09/26					
1 PLACE	± ---	± ---	APPROVED BY	DATE	MATERIAL NO. 747200508		DOCUMENT NO. SD-74720-0508	SHEET NO. 3 OF 3	
DRAFT WHERE APPLICABLE MUST REMAIN WITHIN DIMENSIONS		ANGULAR ±1/2°		THIS DRAWING CONTAINS INFORMATION THAT IS PROPRIETARY TO MOLEX INCORPORATED AND SHOULD NOT BE USED WITHOUT WRITTEN PERMISSION					